



Civic Arts Commission  
Office of Economic Development

## **Civic Arts Commission Meeting** **Wednesday, June 22, 2022** **6:00 PM**

### **PUBLIC ADVISORY: THIS MEETING WILL BE CONDUCTED EXCLUSIVELY THROUGH VIDEOCONFERENCE AND TELECONFERENCE**

Pursuant to Government Code Section 54953(e) and the state declared emergency, this meeting of the Civic Arts Commission will be conducted exclusively through teleconference and Zoom videoconference. The COVID-19 state of emergency continues to directly impact the ability of the members to meet safely in person and presents imminent risks to the health of attendees. Therefore, no physical meeting location will be available.

To access the meeting remotely: Join from a PC, Mac, iPad, iPhone, or Android device: Please use this URL <https://us02web.zoom.us/j/86147520326>. If you do not wish for your name to appear on the screen, then use the drop-down menu and click on "rename" to rename yourself to be anonymous. To request to speak, use the "raise hand" icon by rolling over the bottom of the screen. To join by phone: Dial **1-669-900-9128** and enter Meeting ID: **861 4752 0326**. If you wish to comment during the public comment portion of the agenda, Press \*9 and wait to be recognized by the Chair. To submit an e-mail comment during the meeting to be read aloud during public comment, email [civicarts@cityofberkeley.info](mailto:civicarts@cityofberkeley.info) with the Subject Line in this format: "PUBLIC COMMENT ITEM ##." Please observe a 150-word limit. Time limits on public comments will apply.

### **Agenda**

1. **CALL TO ORDER**
2. **ROLL CALL**
3. **PUBLIC COMMENT** (for items not on the agenda)
4. **APPROVAL OF MINUTES**
  - a) May 25, 2022 Draft Minutes (Attachment 1)
5. **CHAIR'S REPORT**
  - a) Civic Arts Commission retreat in the fall

b) Arts & Culture Plan

**6. PRESENTATIONS, DISCUSSION & ACTION ITEMS** (All items for presentation, discussion and possible action)

- a) Proposed placement of Queen Shamiram sculpture at redwood grove next to Maudelle Shirek ("old City Hall") building, presented by Arianne Gelardin and Narsai David (Attachment 2)
- b) Artist Certification for Affordable Housing for Artists and Housing Element
- c) Artist Cathy Lu for Cube Space exhibition, presented by Zoe Taleporos (Attachment 3)

**7. STAFF REPORT**

- a) Civic Arts Program Updates, Jennifer Lovvorn
- b) Grants Program Updates, Hilary Amnah
- c) Public Art Program Updates, Zoe Taleporos

**8. COMMITTEE REPORTS**

- a) Grants
  - Dana Blecher, Chair
  - Liz Ozol
  - Cameron Woo
- b) Policy
  - Kim Anno, Chair
  - Lisa Bullwinkel
  - Modesto Covarrubias
- c) Public Art
  - Matt Passmore, Chair
  - Kim Anno
  - Dana Blecher
  - Riti Dhesi
- d) Representative on Berkeley Cultural Trust
  - Lisa Bullwinkel
- e) Representatives on Berkeley Arts Education Steering Committee Representative
  - Liz Ozol
- f) Representative on Design Review Committee

- Cameron Woo

g) Representative on Ad-Hoc Artists Affordable Housing Committee

- Kim Anno

## 9. COMMUNICATION

None

## 10. ADJOURNMENT

### Attachments:

1. May 25, 2022 Draft Minutes
2. Queen Shamiram sculpture placement
3. Artist Cathy Lu for Cube Space exhibition

Staff Contact:

Jennifer Lovvorn

Secretary to the Civic Arts Commission

Berkeley, CA 94704

(510) 981-7533

[jlovvorn@cityofberkeley.info](mailto:jlovvorn@cityofberkeley.info)

Communications to Berkeley boards, commissions or committees are public record and will become part of the City's electronic records, which are accessible through the City's website. **Please note: e-mail addresses, names, addresses, and other contact information are not required, but if included in any communication to a City board, commission or committee, will become part of the public record.** If you do not want your e-mail address or any other contact information to be made public, you may deliver communications via U.S. Postal Service or in person to the secretary of the relevant board, commission or committee. If you do not want your contact information included in the public record, please do not include that information in your communication. Please contact the secretary to the relevant board, commission or committee for further information.

### ADA Disclaimer

**To request a disability-related accommodation(s) to participate in the meeting, including auxiliary aids or services, please contact the Disability Services specialist at 981-6418 (V) or 981-6347 (TDD) at least three business days before the meeting date.**



Civic Arts Commission  
Office of Economic Development

**DRAFT MINUTES**  
**Civic Arts Commission Meeting**  
**Wednesday, May 25, 2022**  
**6:00 PM**

**No physical location; meeting held exclusively through videoconference and teleconference.**

**1. CALL TO ORDER 6:02 PM**

**2. ROLL CALL**

**Commissioners Present:** Anno, Blecher, Bullwinkel, Covarrubias, La, Passmore, Woo.

**Commissioners Absent:** Dhesi, Ozol.

**Staff Present:** Hilary Amnah, Grants Program Lead; Jennifer Lovvorn, Commission Secretary/Chief Cultural Affairs Officer; Zoë Taleporos, Public Art Program Lead.

**Members of the public in attendance:** 1

**3. PUBLIC COMMENT (for items not on the agenda)**

1 speaker

**4. APPROVAL OF MINUTES**

a) **April 27, 2022 Draft Minutes**

**Action:** M/S/C (Anno/Blecher) to approve the April 27, 2022 Minutes.

**Vote:** Ayes — Anno, Blecher, Bullwinkel, Covarrubias, La, Passmore, Woo; Nays — None; Abstain — none; Absent — Dhesi, Ozol.

**5. CHAIR'S REPORT**

- a) The Chair reported on the approval of the Public Art Funding Ordinance — Second reading of ordinance approved by Council on May 24, 2022.

## 6. PRESENTATIONS, DISCUSSION, AND ACTION ITEMS

- a) **Presentation on Vision 2050 and revenue measures, by Liam Garland, Public Works Director** — No action taken.

- b) **FY23 Public Art Budgets presented by Zoë Taleporos, Public Art Program Lead**

**Action:** M/S/C (Passmore/Blecher) to approve FY23 Public Art Budgets.

**Vote:** Ayes — Anno, Blecher, Bullwinkel, Covarrubias, La, Passmore, Woo; Nays — None; Abstain — None; Absent — Dhesi, Ozol.

- c) **Civic Arts Commission Work Plan for FY23 presented by Jennifer Lovvorn and Zoë Taleporos**

**Action:** M/S/C (Anno/Bullwinkel) to approve FY23 Civic Arts Commission Work Plan.

**Vote:** Ayes — Anno, Blecher, Bullwinkel, Covarrubias, La, Passmore, Woo; Nays — None; Abstain — None; Absent — Dhesi, Ozol.

- d) **Development of Artist Certification for Affordable Housing for Artists**

**Action:** M/S/C (Bullwinkel/Blecher) to approve amended Artist Certification for Affordable Housing for Artists with changes in the Artists Eligibility Criteria sections G & H to:

- G. Artists who have culturally specific creative practices (folk arts, traditional arts, tradition bearers)
- H. Self-taught and “outsider” artists

**Vote:** Ayes — Anno, Blecher, Bullwinkel, Covarrubias, La, Passmore, Woo; Nays — None; Abstain — None; Absent — Dhesi, Ozol.

## 7. STAFF REPORTS

- a) Jennifer Lovvorn provided Civic Arts Program Updates.
- b) Hilary Amnah provided Grants Program Updates.
- c) Zoë Taleporos provided Public Art Program Updates.

## 8. SUBCOMMITTEE REPORTS

- a) **Grants** — The next meeting will be held in June.
  - Dana Blecher, Chair
  - Liz Ozol

- Cameron Woo
- b) **Policy** — Subcommittee met on May 19, 2022 to discuss development of Artist Certification for Affordable Housing for Artists.
- Kim Anno, Chair
  - Lisa Bullwinkel
  - Modesto Covarrubias
- c) **Public Art** — Subcommittee met on May 18, 2022 to discuss FY23 Civic Arts Commission Work Plan and Budgets.
- Matt Passmore, Chair
  - Kim Anno
  - Dana Blecher
  - Riti Dhesi
- d) **Representative on Berkeley Cultural Trust** — The meeting held on May 11, 2022 included an advocacy presentation from a representative of Californians for the Arts.
- Lisa Bullwinkel
- e) **Representatives on Berkeley Arts Education Steering Committee (BAESC)** — No Report.
- Liz Ozol
  - Riti Dhesi
- f) **Representative on Design Review Committee** — Held last meeting on May 19, 2022. Approved design of seven-story building that will opt for the ‘in-lieu’ private development public art fee.
- Cameron Woo
- g) **Representative on Ad-Hoc Artists Affordable Housing Committee** — Reported update on Artists Certification process.
- Kim Anno

## 9. **COMMUNICATION**

- a) None

## 10. **ADJOURNMENT 8:43 PM**

**Action:** M/S/C (Woo/La) Vote: Ayes — Anno, Blecher, Bullwinkel, Covarrubias, La, Passmore, Woo; Nays — None; Abstain — None; Absent — Dhesi, Ozol.

Staff Contact:



Jennifer Lovvorn  
Secretary to the Civic Arts Commission  
Berkeley, CA 94704

(510) 981-7533

[jlovvorn@cityofberkeley.info](mailto:jlovvorn@cityofberkeley.info)

Communications to Berkeley boards, commissions or committees are public record and will become part of the City's electronic records, which are accessible through the City's website. **Please note: e-mail addresses, names, addresses, and other contact information are not required, but if included in any communication to a City board, commission or committee, will become part of the public record.** If you do not want your e-mail address or any other contact information to be made public, you may deliver communications via U.S. Postal Service or in person to the secretary of the relevant board, commission or committee. If you do not want your contact information included in the public record, please do not include that information in your communication. Please contact the secretary to the relevant board, commission or committee for further information.

**ADA Disclaimer**

**To request a disability-related accommodation(s) to participate in the meeting, including auxiliary aids or services, please contact the Disability Services specialist at 981-6418 (V) or 981-6347 (TDD) at least three business days before the meeting date.**

# QUEEN SHAMIRAM

Fred Parhad, Artist

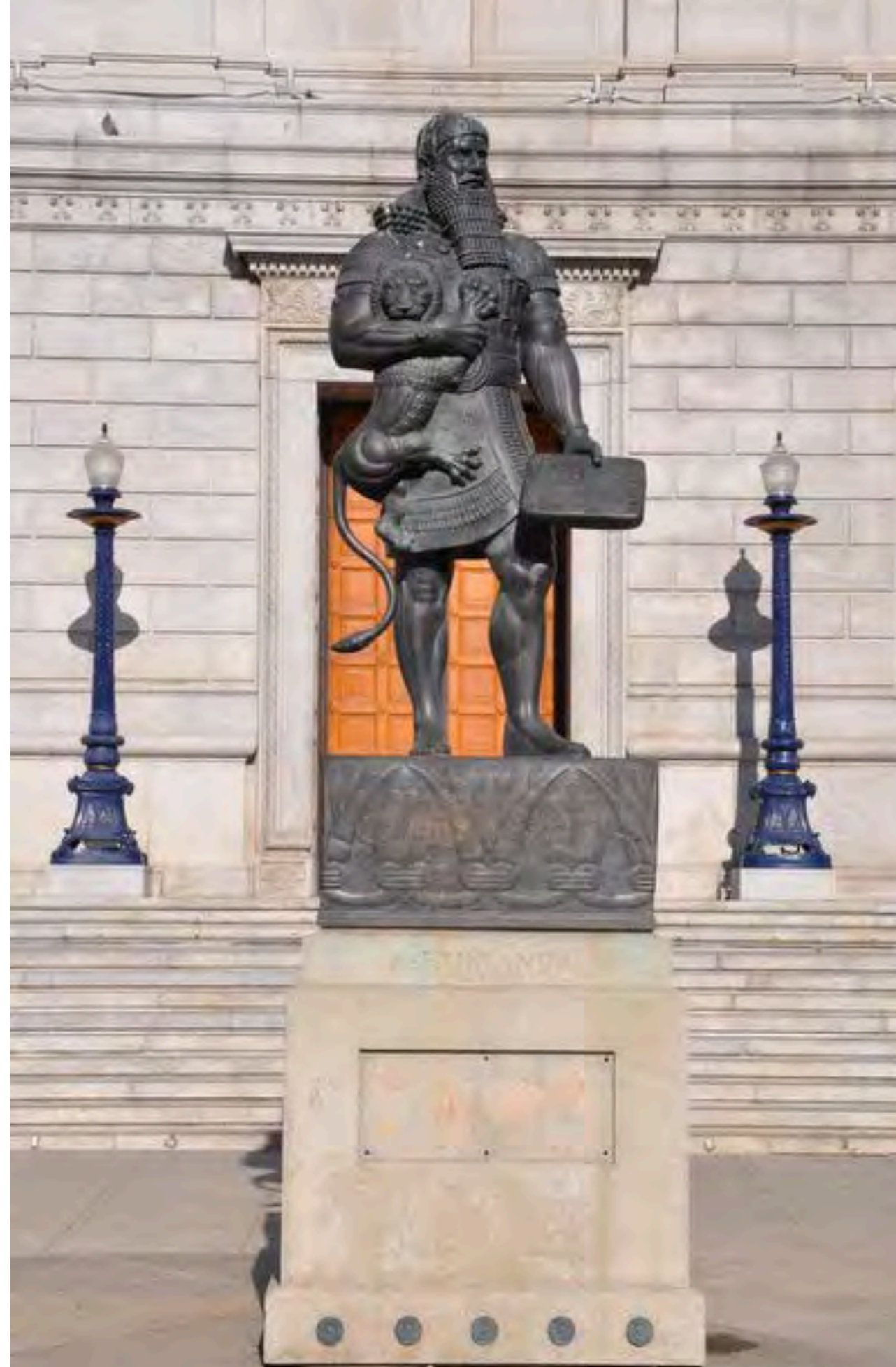
Narsai and Venus David, Donors













24 3:13PM



24 3:14PM













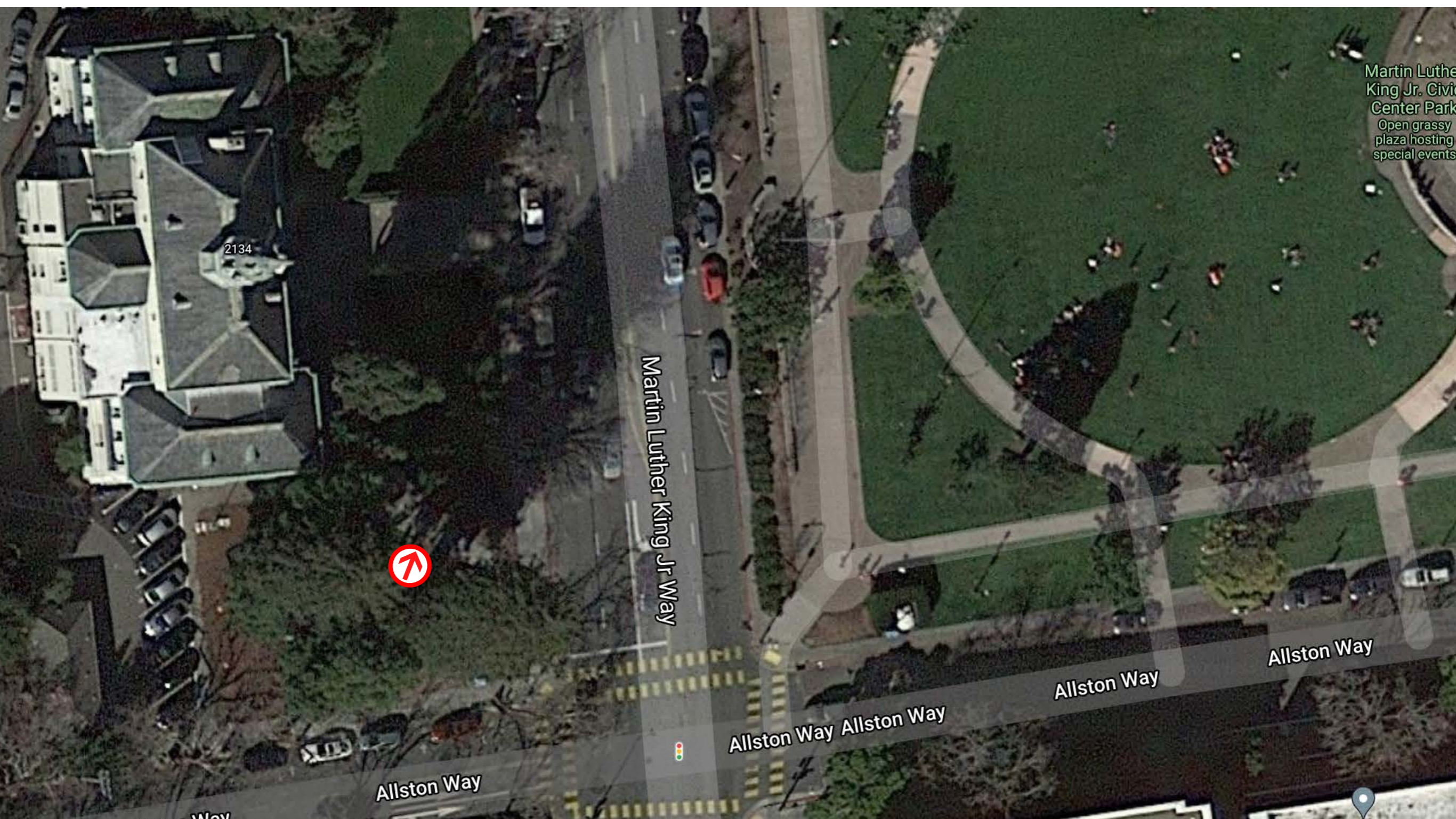




24 3:13PM



24 3:14PM



2134

Martin Luther King Jr Way



Allston Way

Allston Way Allston Way

Allston Way

Allston Way

Martin Luther King Jr. Civic Center Park  
Open grassy plaza hosting special events





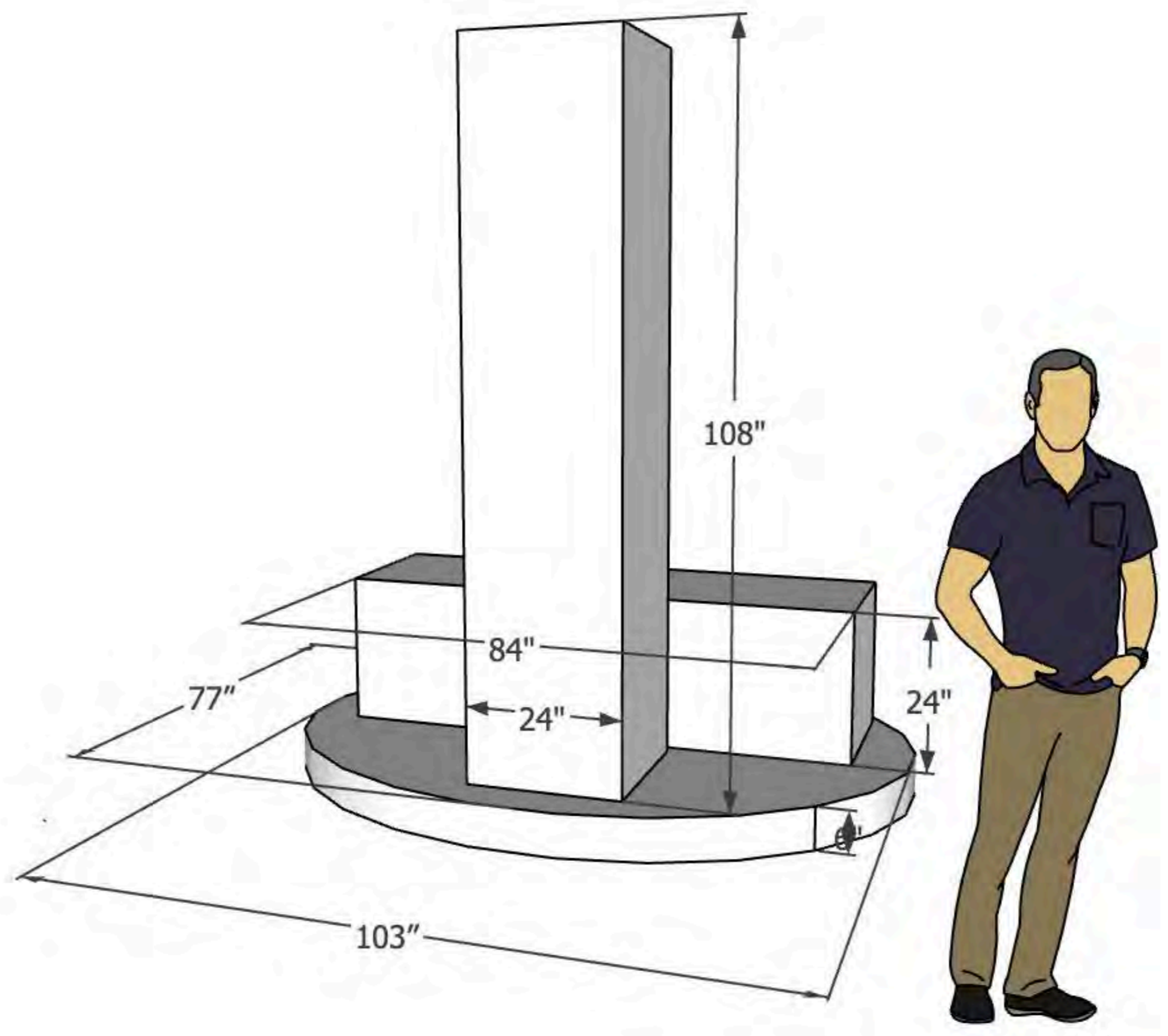














CATHY LU

CUBE SPACE PROPOSAL

SEPTEMBER 2022 – JANUARY 2023



















BERKELEY ART CENTER













